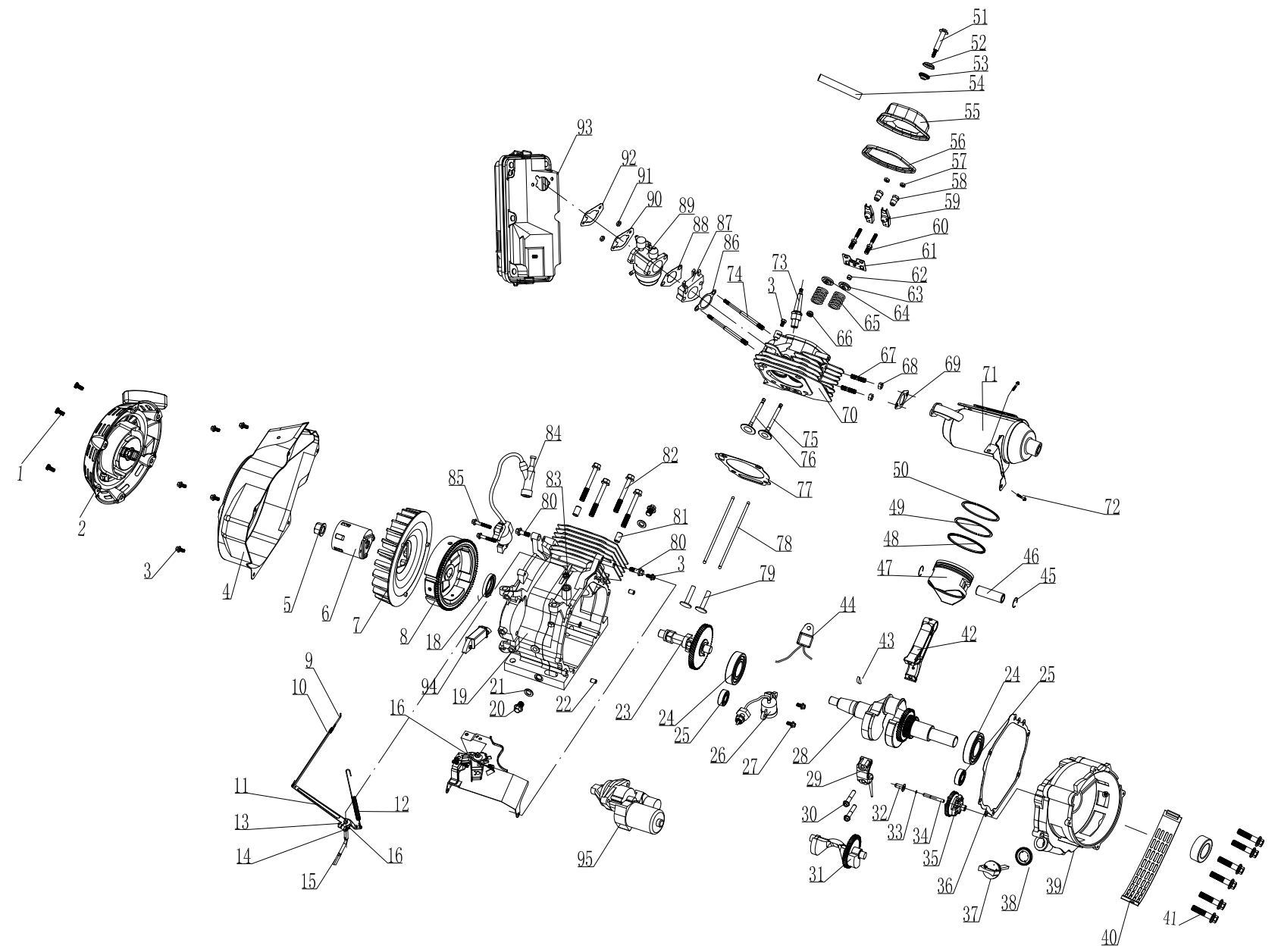


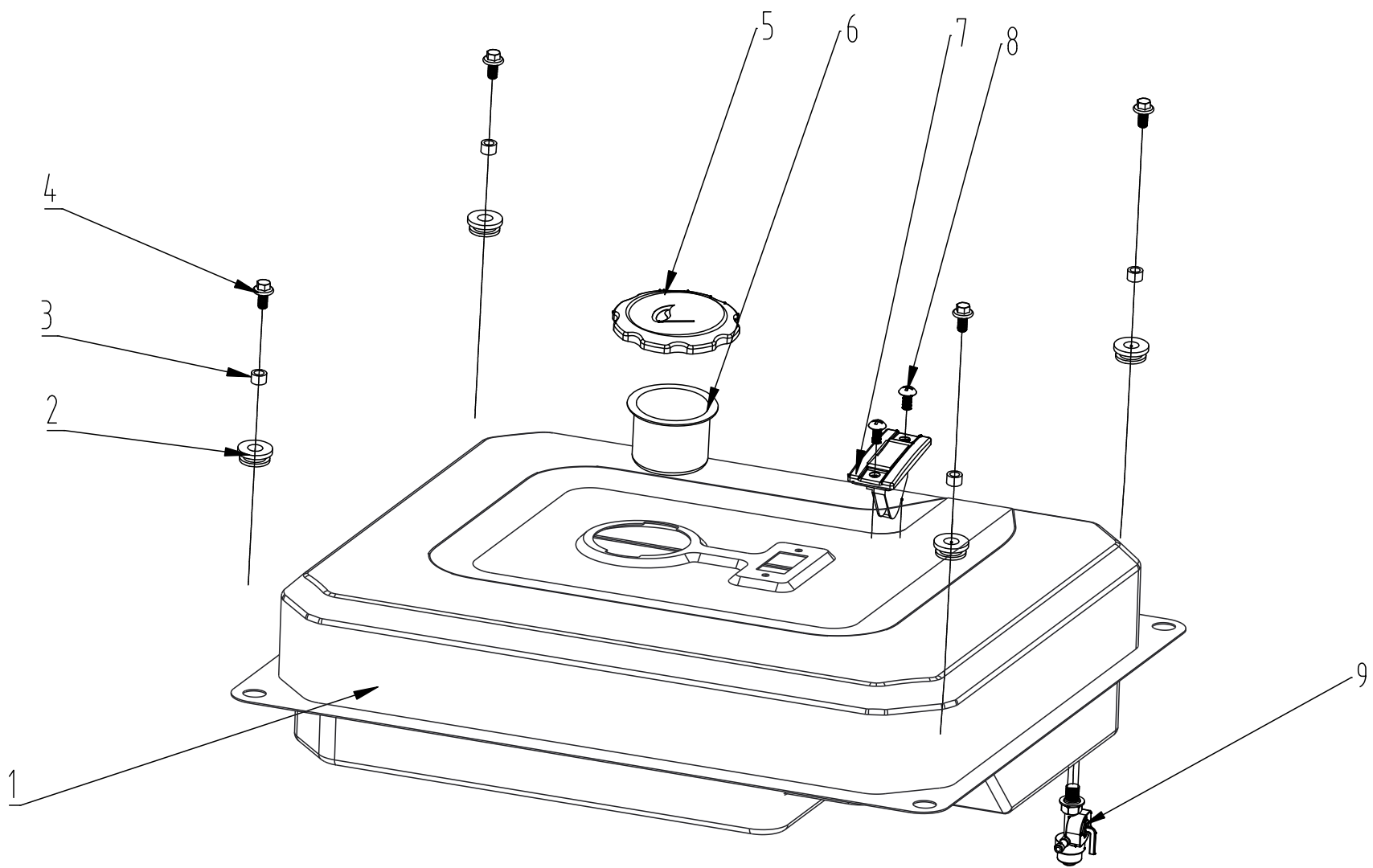
5	Control panel	控制面板			
4	Electrical machine	电机			
3	Frame parts	机架部件			
2	Fuel tank parts	油箱部件			
1	Engine	发动机			
Number	English	Chinese			
Itemref	Quantity	Title/Name, designation, material, dimension etc	Article No./Reference		
Designed by XXX	Checked by XXX	Approved by - date XXX - 00/00/00	Filename Exploder	Date	Scale 1:1
Generator Exploder					



Itemref	Quantity	Title/Name, designation, material, dimension etc	Article No./Reference
Designed by XXX	Checked by XXX	Approved by - date XXX - 00/00/00	Filename Exploder
		Date	Scale 1:1

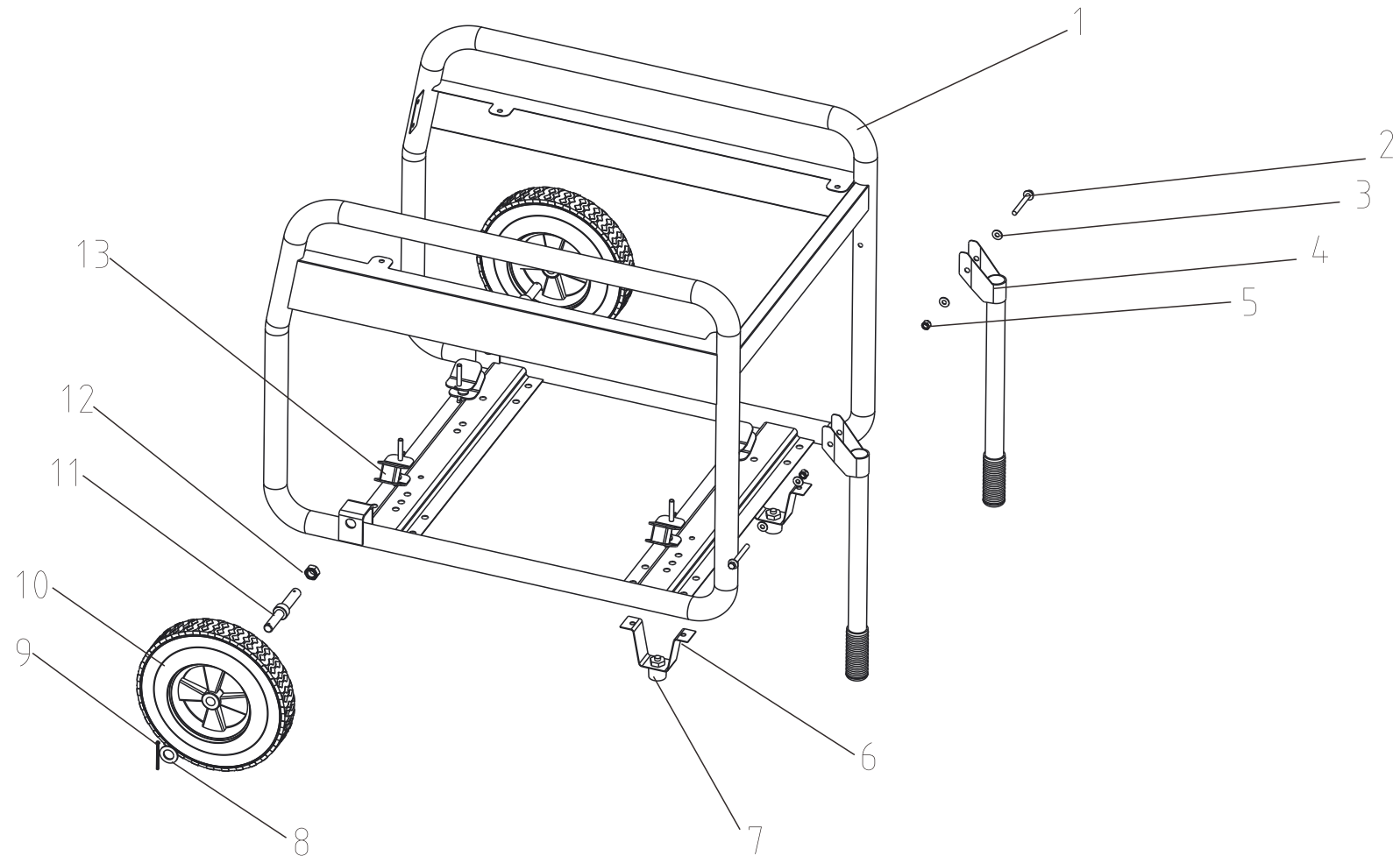
Electrical machine Exploder

No	English Name	Chinese Name	Number	No	English Name	Chinese Name	Number
1	Flange Bolt M6×8	法兰螺栓 M6×8	3	50	Top compression ring	第一道气环	1
2	Recoil starter	拉盘	1	51	Cylinder Cover Bolt	缸盖螺栓	1
3	Flange Bolt M6×12	法兰螺栓 M6×12	5	52	Cylinder Cover Bolt Gasket	缸盖螺栓垫片	1
4	Fan Cover	电动风扇罩	1	53	Cylinder Cover Bolt Airproof Gasket	缸盖螺栓密封垫	1
5	Flywheel Nut M16×1.5	飞轮螺母 M16×1.5	1	54	Breather tube	通气管	1
6	Starting Cup	起动机杯	1	55	Cylinder head cover	汽缸盖	1
7	Fan	风扇	1	56	Cylinder head cover gasket	汽缸盖罩垫片	1
8	Flywheel	飞轮	1	57	Rocker Nut	摇臂螺母	2
9	Governor Pull Rod	调速拉杆	1	58	Rocker adjust Nut	摇臂调整螺母	2
10	Small Governor Spring	微调速弹簧	1	59	Rocker arm	摇臂	2
11	Governor Arm	调速臂	1	60	Rocker Bolt	摇臂螺栓	2
12	Governor Spring	调速弹簧	1	61	Push-Rod Keep Frame	推杆保持架	1
13	Square Bolt M6×21	方型螺栓 M6×21	1	62	Exhaust Valve Hat	排气顶帽	1
14	Flangel Nut M6	法兰螺母 M6	1	63	Exhaust Valve Spring Retainer	排气门弹簧座	1
15	Governor Lever	调速杠杆	1	64	Intake Valve Spring Retainer	进气门弹簧座	1
16	Governor jump ring	调速卡销	1	65	Valve Spring	气门弹簧	2
17	Set Governing base	机组调速底座	1	66	Valve leader seal	气门导杆油封	1
18	Oil seal	油封	2	67	Stud bolt M8×32	双头螺栓 M8×32	2
19	Crankcase	曲轴箱	1	68	Nut M8	螺母 M8	2
20	Drain Plug	放油螺塞	2	69	Exhaust pipe Gasket	排气管垫片	1
21	Drain Plug Gasket	放油螺塞垫片	2	70	Cylinder head	汽缸头	1
22	Crankcase Pin φ8×14	箱体定位销 φ8×14	2	71	5KW Muffler	5KW 消声器	1
23	Camshaft	凸轮轴	1	72	Flange Bolt M6×8	法兰螺栓 M6×8	2
24	Bearing 6207	轴承6207	2	73	Sparkplug	火花塞	1
25	Bearing 6202	轴承6202	2	74	Set carburetor bolt	机组化油器螺栓	2
26	Oil Sensor	机油传感器	1	75	Exhaust Valve	排气门	2
27	Flange Bolt M6×12	法兰螺栓 M6×12	2	76	Intake Valve	进气门	1
28	Crankshaft	曲轴	1	77	Cylinder head gasket	汽缸头垫片	1
29	Connecting rod Cover	连杆盖	1	78	Push-rod	推杆	2
30	Connecting rod Bolt	连杆螺栓	2	79	Tappet	挺柱	2
31	Balanceshaft	平衡轴	1	80	Flange Bolt M6×12	法兰螺栓 M6×12	2
32	Governor Cover	调速帽	1	81	Cylinder head Pin φ12×20	缸头定位销 φ12×20	2
33	Retainer ring 6	卡圈6	1	82	Cylinder head Bolt M10×80	缸头螺栓 M10×80	4
34	Governor Shaft	调速轴	1	83	Governor Shaft Seal	调速轴油封	1
35	Governor Gear	调速齿轮	1	84	High Voltage bag	高压包	1
36	Crankcase Gasket	曲轴箱垫片	1	85	Flange Bolt M6×25	法兰螺栓 M6×25	2
37	Oil ruler	机油尺	1	86	Carburetor Insulator Gasket	化油器隔热板垫片	1
38	Oil ruler Gasket	机油尺垫片	1	87	Carburetor Insulator	化油器隔热板	1
39	High Crankcase cover	曲轴箱高盖	1	88	Carburetor Gasket	化油器垫片	1
40	Dust-proof net	防尘网	1	89	Carburetor	化油器	1
41	Flange Bolt M8×35	法兰螺栓 M8×35	7	90	Air Cleaner Gasket	空滤器垫片	1
42	Connecting rod body	连杆体	1	91	Flange Nut M6	法兰螺母 M6	2
43	Flywheel key	飞轮键	1	92	Air Cleaner pressing plate	空滤器压板	1
44	Interdiction Organ	阻断器	1	93	Air Cleaner pressing plate	空滤器	1
45	Piston pin clip	活塞卡簧	2	94	Charge winding	充电线圈	1
46	Piston pin	活塞销	1	95	Electric starter	启动电机	1
47	Piston	活塞	1				
48	Oil ring	油环	1				
49	Second compression ring	第二道气环	1				



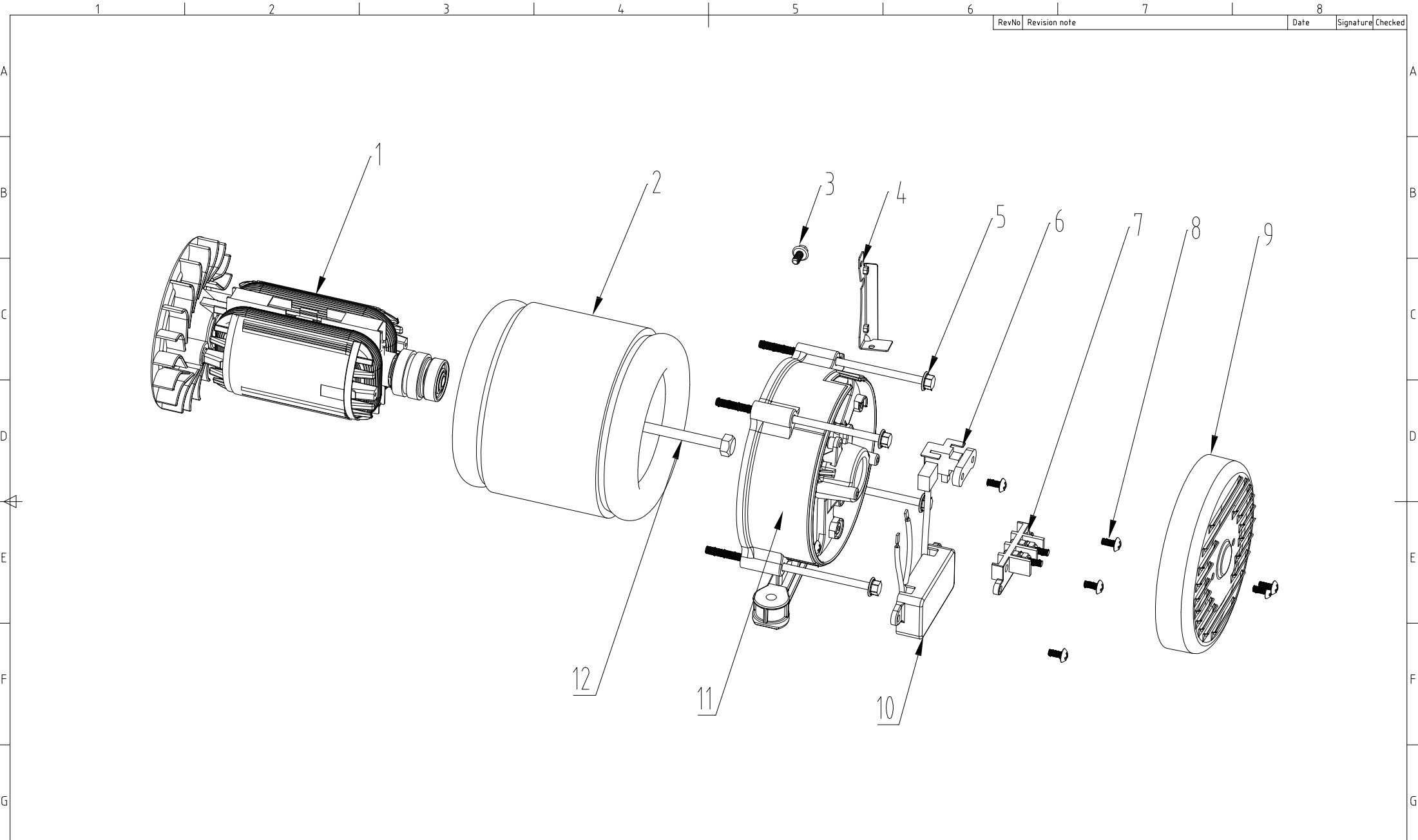
3	Iron cover	铁套	6	Filter net	滤网	9	Fuel switch	油开关
2	Rubber gasket	橡胶垫	5	Fuel tank Cover	油箱盖	8	Bolt M5×12	螺栓 M5×12
1	Fuel tank	油箱	4	Bolt M6×25	螺栓M6×25	7	Fuel Meter	油位表
Number	English	Chinese	Number	English	Chinese	Number	English	Chinese

Itemref	Quantity	Title/Name, designation, material, dimension etc			Article No./Reference	
Designed by XXX	Checked by XXX	Approved by - date XXX - 00/00/00	Filename Exploder	Date	Scale 1:1	
Fuel tank parts Exploder						



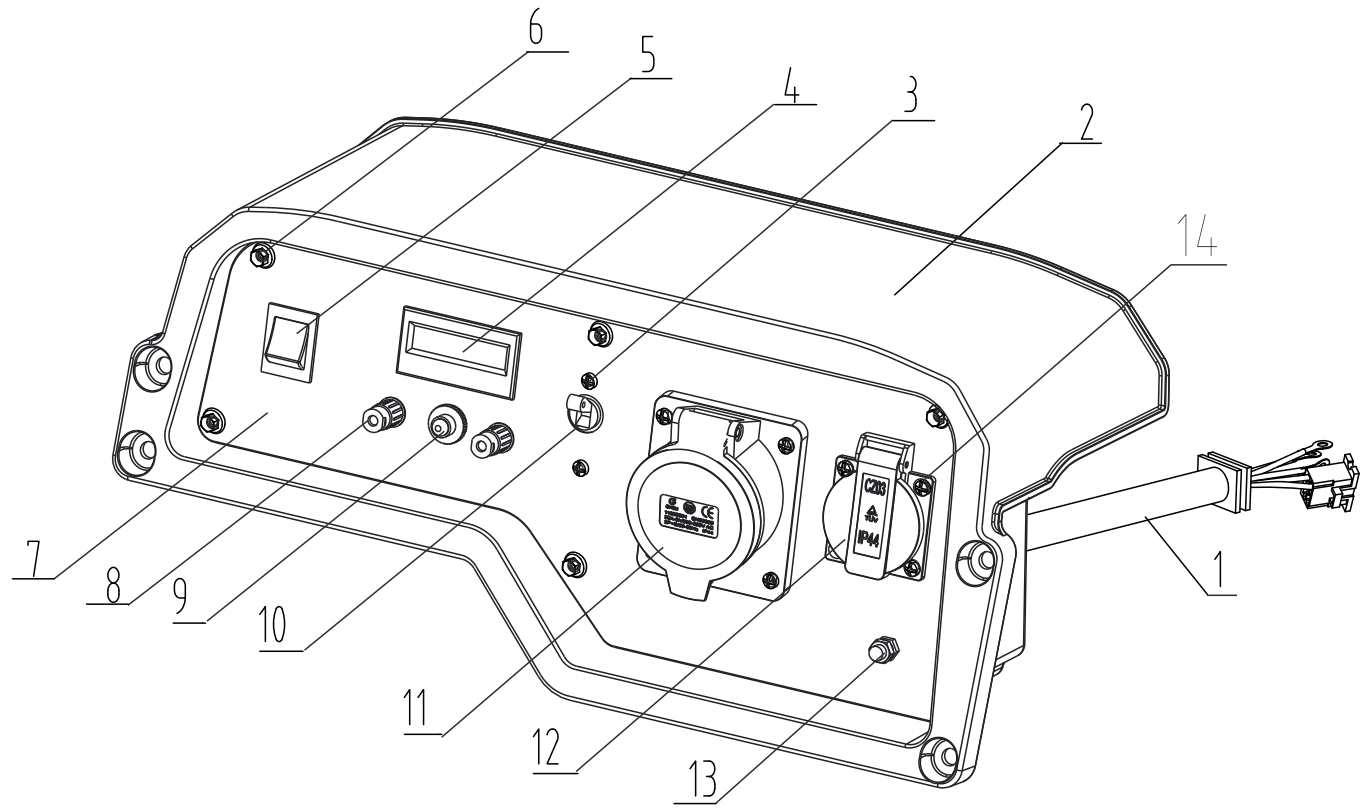
5	Bolt M6	螺帽 M6	10	Wheel 9inch	轮子9寸	15		
4	Handle	手柄	9	Latch	插销	14		
3	Gasket M6	平垫片 M6	8	Gasket M14	平垫片 M14 机	13	Center damping feet	中心减震脚
2	Bolt M6X45	法兰螺栓 M6X45	7	Rubber feet	橡胶脚	12	Nut M14	螺母 M14
1	Frame	机架	6	Stand leg	支撑脚	11	Short Shaft	短轴
Number	English	Chinese	Number	English	Chinese	Number	English	Chinese

Itemref	Quantity	Title/Name, designation, material, dimension etc	Article No./Reference
Designed by XXX	Checked by XXX	Approved by - date XXX - 00/00/00	Filename Exploder
Date		Scale 1:1	
Frame parts Exploder			



4	Muffler Support	消声器支架	8	Bolt M5×12	螺栓 M5×12	12	Rotor bolt	转子螺栓
3	Bolt M8x16	M8x16螺栓	7	Junction Box	接线柱	11	Generator End Bell	电机支架
2	Stator	定子	6	Carbon brush	碳刷	10	Adjust Voltage Regulator	调压器
1	Rotor	转子	5	Stator bolt	定子螺栓	9	Back Cover	后盖
Number	English	Chinese	Number	English	Chinese	Number	English	Chinese

Itemref	Quantity	Title/Name, designation, material, dimension etc			Article No./Reference	
Designed by XXX	Checked by XXX	Approved by - date XXX - 00/00/00	Filename Exploder	Date	Scale 1:1	
Electrical machine Exploder						



5	Power Switch	启动开关	10	5kw AC Breaker	5KW交流断路器		
4	Voltage meter	电压表	9	DC Breaker	直流保护器	14	Bolt M4×12 螺栓 M4×12
3	Bolt M3×8	螺栓 M3×8	8	DC Terminal	直流接线柱	13	Earth bolt 接地螺栓
2	Back cover	后盖	7	NXT Model Panel	NXT型面板	12	AC Socket 交流插座
1	Inlet wire	内部导线	6	Bolt M6×12	螺栓 M6×12	11	Industrial Socket 工业插座
No	English	Chinese	No	English	Chinese	No	English Chinese

Itemref	Quantity	Title/Name, designation, material, dimension etc			Article No./Reference	
Designed by XXX	Checked by XXX	Approved by - date XXX - 00/00/00	Filename Exploder	Date	Scale 1:1	
Control panel Exploder						